

Calculating the area of triangles and parallelograms (12 cards)

Card 1

→ 33

Calculate the area

31 10 47

Set D8

→ ???

Card 2

→ 60

Calculate the area

31 12 9 15 47

Set D8

→ ???

Card 3

→ 35

Calculate the area

31 12 8 47

Set D8

→ ???

Card 4

→ 45

Calculate the area

31 12 8 47

Set D8

→ ???

Card 5

→ 36

Calculate the area

31 5 3 11 47

Set D8

→ ???

Card 6

→ 64

Calculate the area

31 5 12 13 47

Set D8

→ ???

Card 7

→ 48

Calculate the area

31 8 4 5 47

Set D8

→ ???

Card 8

→ 50

Calculate the area

31 15 8 47

Set D8

→ ???

Card 9

32

Calculate the area

8  
9

31 47

Set D8

???

Card 10

42

Calculate the area

7  
5  
10

31 47

Set D8

???

Card 11

30

Calculate the area

7  
12

31 47

Set D8

???

Card 12

54

Calculate the area

5  
8  
7

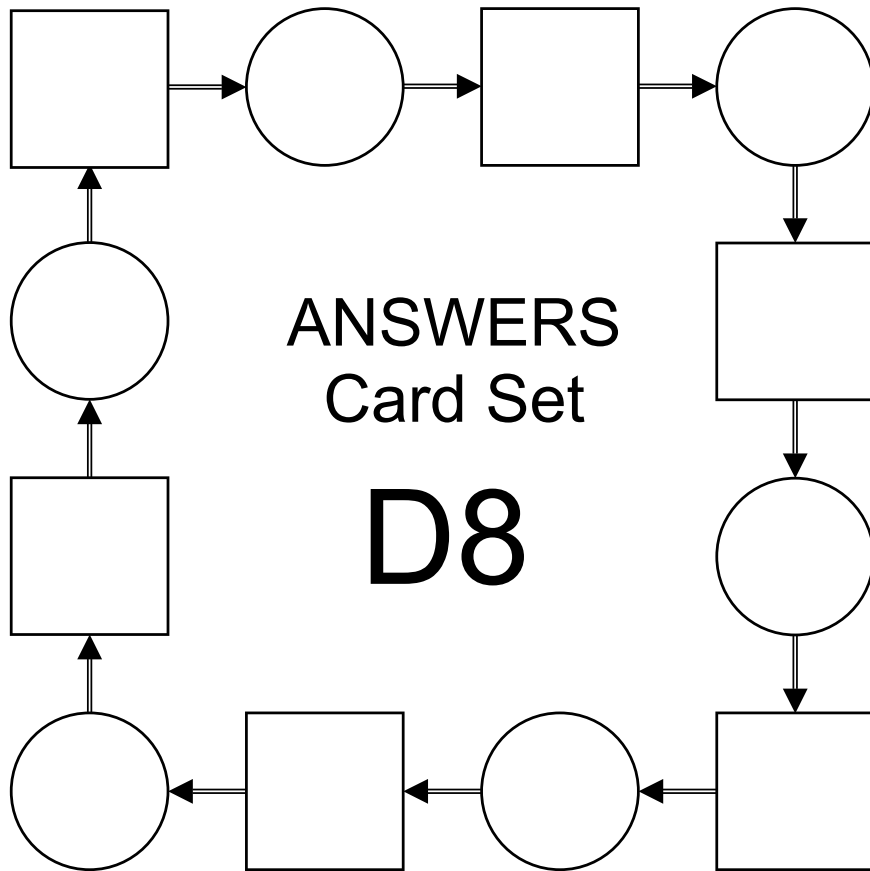
31 47

Set D8

???

Name .....

Area of triangles and parallelograms



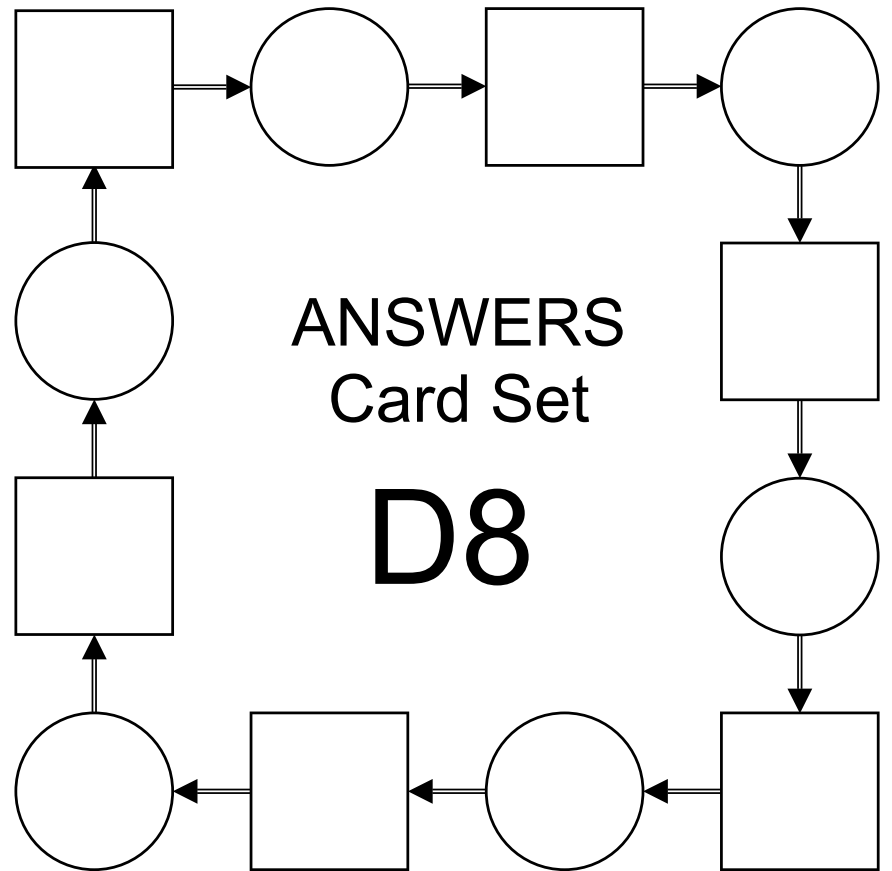
ANSWERS  
Card Set

**D8**

TOTALS	

Name .....

Area of triangles and parallelograms



ANSWERS  
Card Set

**D8**

TOTALS	